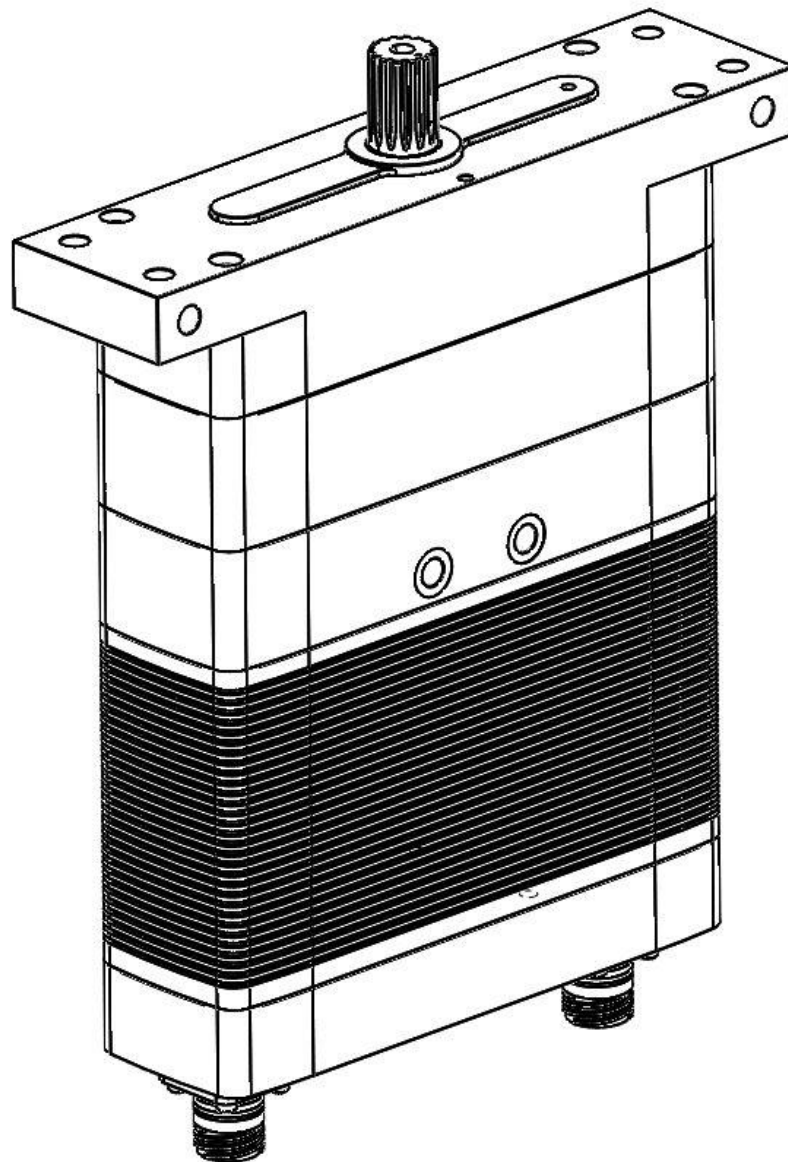


## DA 58-Duplex Technical Specification



DA 58-D-30-8848



## Content

1.	General Description.....	3
1.1	Description of Redundancy Concept.....	3
2.	Operating Data .....	4
3.	Performance.....	5
3.1	Degraded Mode.....	5
4.	Redundant Command Interface .....	6
5.	Materials, Protective Features and Sensors.....	8
6.	Environmental Compliance .....	8
7.	Dimensions .....	9
7.1	Installation Dimensions .....	10
7.2	Output Shaft Spline .....	11
8.	Electrical Connection.....	12
9.	Accessories .....	13
9.1	Aluminum Servo Arm .....	14
10.	Item Number System.....	15

## 1. General Description

The fully redundant DA 58-D has been developed for applications that require a very reliable actuator operation. The redundant – two channel – design of the actuator allows continuing to operate even if one channel of the two channels has failed. All major components such as the electric motors, control and communication electronics and power supply are available twice. The position sensor is even featuring a three-channel design (2 out of 3 voting).

### 1.1 Description of Redundancy Concept

The actuator redundancy concept is based on a so-called “Active-Passive Architecture”. This means that the primary channel of the actuator (communication interface, actuator control electronics, position sensor) is in command of the actuator. Example: The setpoint command is being received by the primary communication interface and will be processed by the primary actuator control electronics (ACE) using the data of the primary position sensor. The result of this processing is used to drive the primary and secondary motor. Therefore, both ACEs are communicating via an internal communication network over which they exchange all required data. Also connected to this network is a voting position sensor. The primary ACE will “hand over” the command to the standby ACE, if a failure is detected. The following failure modes will cause such a failover event:

- Position Sensor Data Mismatch (2 out of 3 voting logic)
- Host Communication Time-Out
- Cyclic-Redundancy-Check-Error of Parameter or Program Memory
- Random-Access Memory failure
- ACE Watch-Dog failure

The standby ACE is in command of the actuator after such a failover. A failover from the primary ACE to the standby ACE can also be forced by the host.

In addition to all automated diagnostic testing, there are tests that can be triggered from the host via specific commands. The brushless motors and the related driver circuits can be fully diagnosed. This is possible as part of a pre and post flight test routine executed by the host. It is also possible to run the BLDC motor diagnostics during mission time.

In case of hardware failure of a BLDC motor or driver circuitry, the actuator will continue to function at degraded performance as only one of the two electric motors will be delivering torque (degraded mode). The remaining performance (torque) is reaching approximately 50% of the nominal rated torque as the gear train of the failed channel is back drivable and will only consume a fraction of the torque that is being produced by the remaining functioning channel.

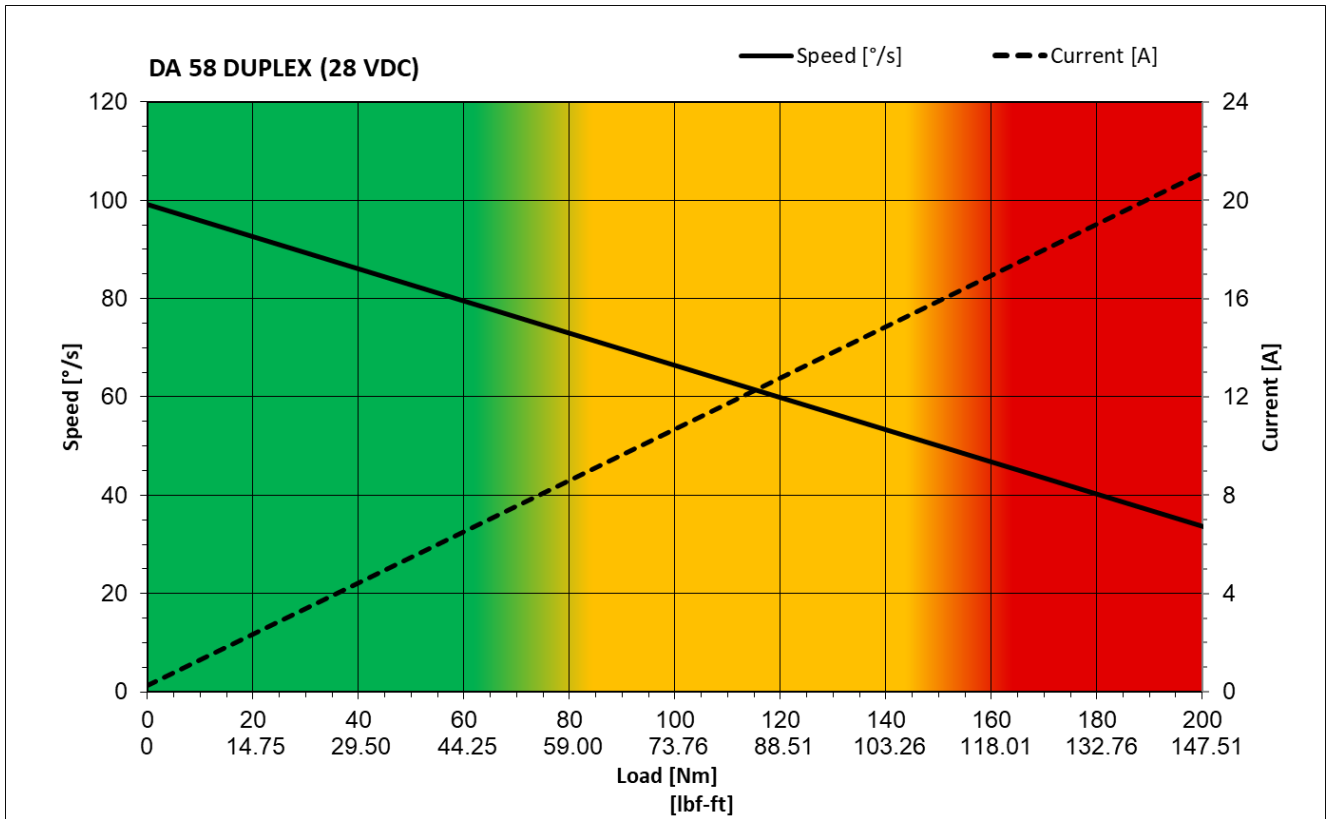
The actuator additionally features a redundant power supply concept. The two power supply inputs are being monitored by both control electronics. The control electronic boards do also have additional diagnostic sensors such as current, motor temperature, electronics temperature and humidity. All this diagnostic data can be read via the communication interface to derive load and health information. In addition, the actuator is counting the time of operation and the time at different load levels.

## 2. Operating Data

		Standard Mode	Degraded Mode
Supply Voltage (rated)		28 V DC	
Supply Voltage Range		12 ... 32 V DC	
Standby Current <sup>1,2</sup>	at rated voltage	0.1 A	0.1 A
Rated Current <sup>1,2</sup>	at rated voltage	8.0 A	4.0 A
Peak Current <sup>1,2</sup>	at rated voltage	19.0 A	N.A.
Rated Torque <sup>1</sup>	at rated speed	80 Nm (708.1 lbf-in)	40 Nm (354.0 lbf-in)
Peak Torque <sup>1</sup>	at rated voltage	200 Nm (1770.1 lbf-in)	100 Nm (885.1 lbf-in)
No Load Speed <sup>1</sup>	at rated voltage	100 °/s	<100 °/s
Rated Speed <sup>1</sup>	at rated torque	80 °/s	<80 °/s
Default Travel Angle		±45° = 90° total travel	
Max. Travel Angle		±160° = 320° total travel	
Backlash (mechanical) <sup>3</sup>		≤ 0.6°	
No-load Position Error under Temperature <sup>4</sup>		≤ ±1°	
Operating Temperature Range <sup>5</sup>		-30°C ... +70°C (-22°F ... +158°F)	
Storage Temperature Range		-35°C ... +80°C (-31°F ... +176°F)	

- 1) Tolerance ±10%
- 2) Summarized Current Consumption in Standard Mode
- 3) Zero Backlash Feature available
- 4) -20°C ... +50°C , Δt = 70°C (-4°F ... +122°F , Δt = 126°F)
- 5) Low Temperature Modification (-70°C / -94°F) on request

### 3. Performance



**Operation Mode:**

■ Continuous

■ Short Time  
< 10s, 60s cool down

■ Overload  
< 1s, 60s cool down

**Degraded Mode:**

Rated Torque 40 Nm (354.0 lbf-in), <100°/s  
Peak Torque 100 Nm (885.1 lbf-in), <80°/s

#### 3.1 Degraded Mode

In case one motor and/or the related electronics fail, the output shaft is driven by the remaining motor. This operation mode is called Degraded Mode, as the remaining performance is degraded. The actuator needs to be replaced whenever the actuator switched to Degraded Mode.

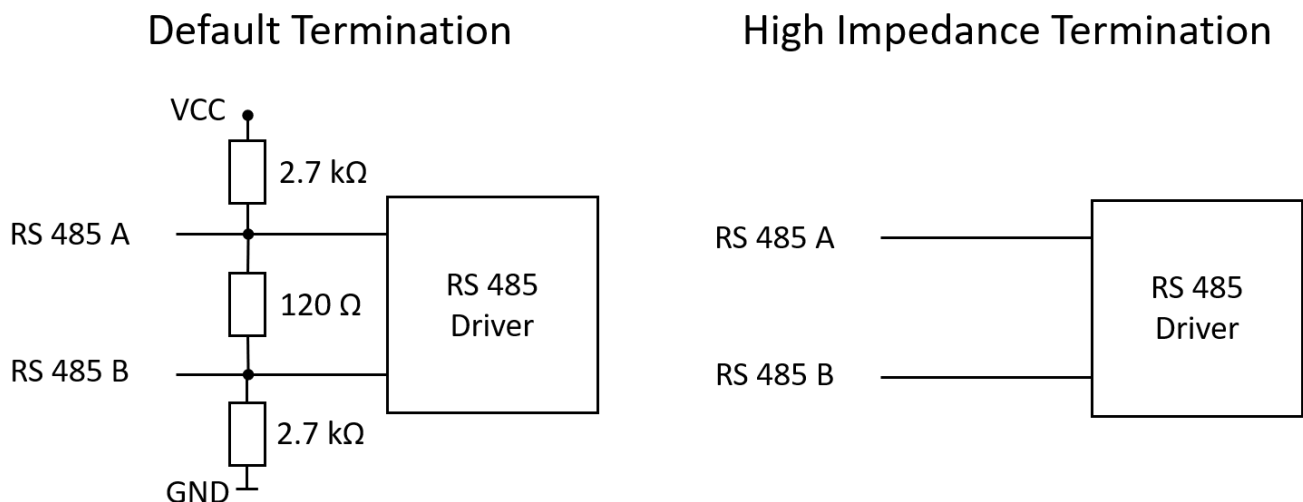
## 4. Redundant Command Interface

Baud-Rate	115200 bit/s $\pm 1.5\%$
Protocol <sup>6</sup>	6 Byte Command Frame with 16-bit CRC
Resolution	0.1°
Communication Interface Termination	Default or High Impedance (HI)

6) Documentation available

### Communication Interface Termination

Per default, the RS485 communication interface is terminated with a 120Ω resistor. Optionally it is possible to order the actuator without termination (high impedance option). This option eliminates the termination and fail-safe resistors as shown in the schematic below. If more than 2 devices shall be connected on the same network, only the first and last device on the bus should feature termination resistors.



### RS 485 Redundant Command Interface

The RS 485 compatible communication interface is intended to operate the actuator using a six byte protocol with a baud rate of 115,200 bit/s. All command and reply messages are secured by a 16 bit Cyclic Redundancy Checksum (CRC). Parameters like the actual output shaft position and other diagnostic information can be read from the actuator via this interface.

Detailed information is provided in the RS 485 documentation.

### **Firmware Adaptation / Non-Recurring Engineering**

There are certain rules to be implemented together with the customer to allow best possible integration into the customer's system architecture. This includes the rule for the monitoring motion controller taking over the command from the motion controller currently in command if there is false data coming from the controller in command. This is strongly influenced by the way the customer wants to talk to the servo from the flight control computer or autopilot (e.g. is there one AP or a primary AP and a backup AP, etc.). Volz recommends to discuss all these topics in a workshop to create the specification of the "switching rules" etc. Ideally, there would be staff present from customer's flight control computer/AP team.

## 5. Materials, Protective Features and Sensors

Case Material	Saltwater resistant Aluminum Alloy
Splash Water Resistance	IP 67
Case Surface Treatment	HART®-Coat
Salt Water Resistance	>100 hrs.
EMI / RFI Shielding	Case Shielding
Motor Type	Two Brushless DC Motors
Gear Set Material	Hardened Steel
Position Sensor	Triple Sensor, contactless
Position Feedback	Standard
RS 485 Redundant Communication Interface	Standard
Temperature Sensor	Standard on each Motor and PCB

## 6. Environmental Compliance

Designed and tested to MIL-STD-810G:

High Temperature	Up to 70 °C
Low Temperature	Down to -55 °C



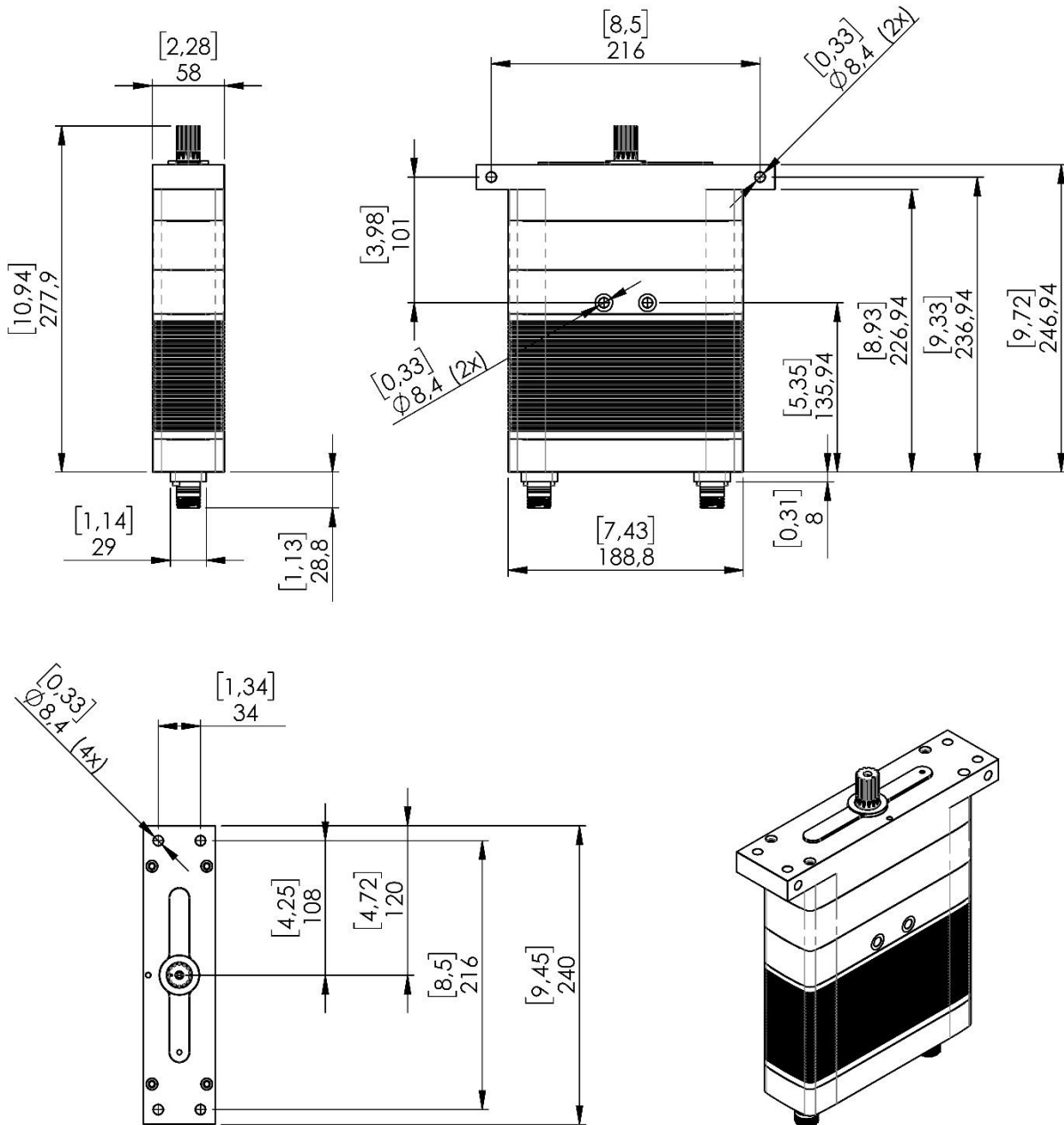
## 7. Dimensions

Case Dimensions	240 mm x 307 mm x 58 mm 9.45 in x 12.09 in x 2.28 in
Standard Tolerances	Unless otherwise specified according to DIN ISO 2768 - m
Weight	5600 g (197.5 oz) $\pm 10\%$

## 7.1 Installation Dimensions

Valid for all Versions

DA 58-D-30-8848...



Not to scale

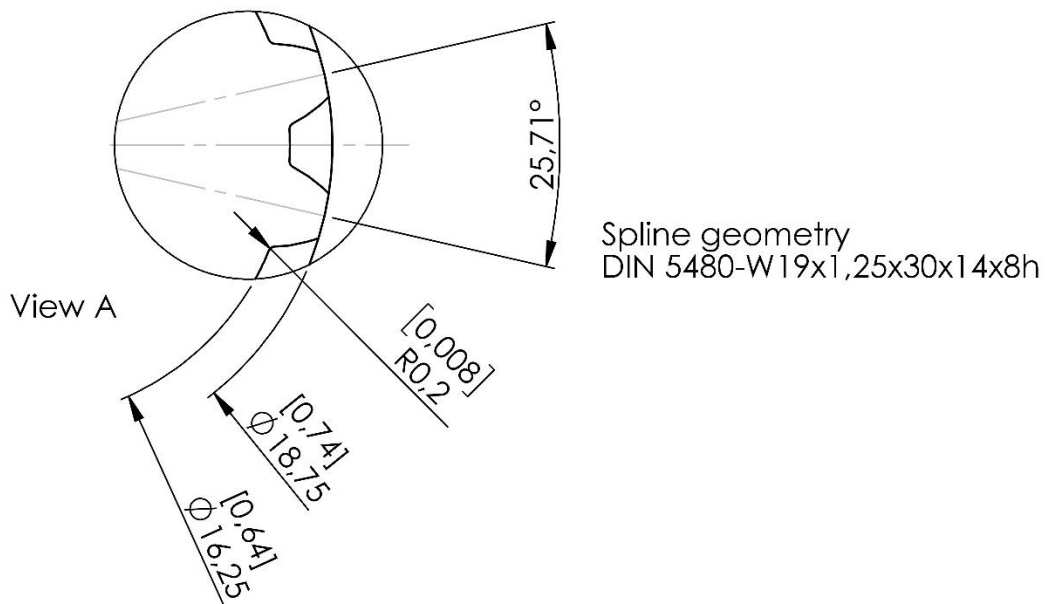
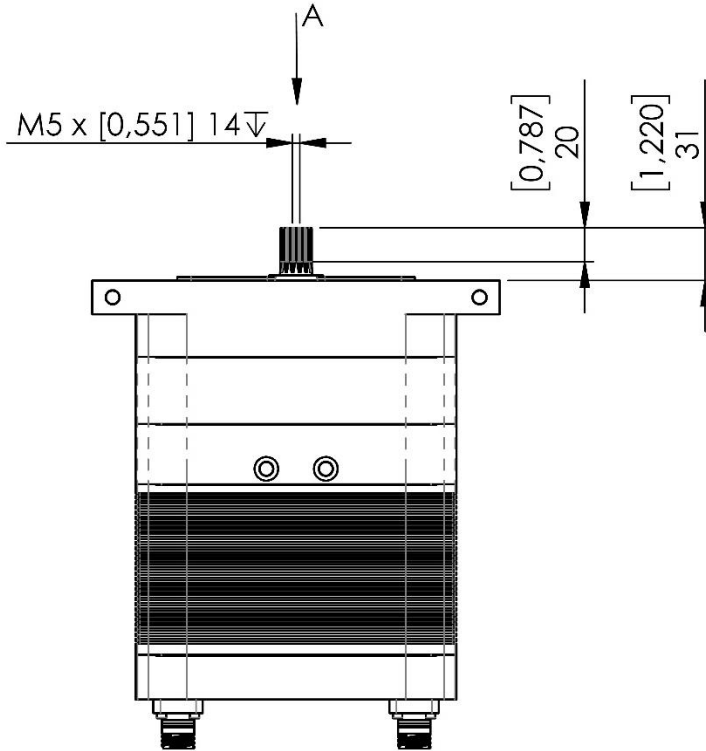
Dimensions: [in], mm

Content is subject to change without notice

Revision: B

## 7.2 Output Shaft Spline

Valid for all Versions  
 DA 58-D-30-8848...



Not to scale

Dimensions: [in], mm

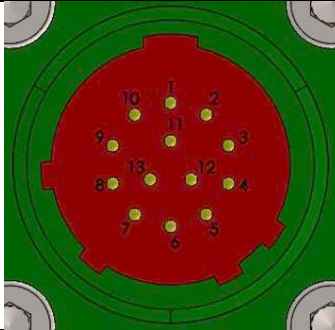
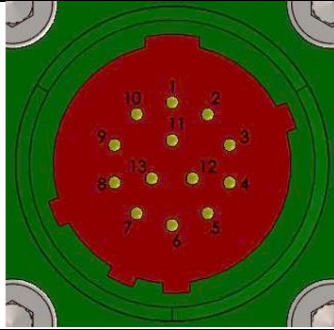
Content is subject to change without notice

Revision: B

## 8. Electrical Connection

### Two Integrated Amphenol D38999 Connectors

Item # DA 58-D-30-8848

Standard Connectors					
X1			X2		
Manufacturer	Amphenol		Manufacturer	Amphenol	
Type	D38999-20WB35PN		Type	D38999-20WB35PA	
Mating	e.g. D38999-25WB35SN		Mating	e.g. D38999-25WB35SA	
					
<div style="display: flex; justify-content: space-around; font-size: 2em; font-weight: bold;"> <span>X1</span> <span>X2</span> </div>					
Pin Assignment					
X1 RS 485 Interface 1			X2 RS 485 Interface 2		
1	-	Do not connect	1	-	Do not connect
2	<b>+V DC (1.1)</b>	Power + (Primary)	2	<b>+V DC (2.1)</b>	Power + (Primary)
3	-	Do not connect	3	-	Do not connect
4	<b>RS 485 A1</b>	Non-inverting Input / Output	4	<b>RS 485 A2</b>	Non-inverting Input / Output
5	<b>RS 485 B1</b>	Inverting Input / Output	5	<b>RS 485 B2</b>	Inverting Input / Output
6	<b>Case GND</b>	Case Ground	6	<b>Case GND</b>	Case Ground
7	-	Do not connect	7	-	Do not connect
8	-	Do not connect	8	-	Do not connect
9	-	Do not connect	9	-	Do not connect
10	<b>+V DC (1.2)</b>	Power + (Backup)	10	<b>+V DC (2.2)</b>	Power + (Backup)
11	-	Do not connect	11	-	Do not connect
12	<b>GND (1.1)</b>	Power Return (Primary)	12	<b>GND (2.1)</b>	Power Return (Primary)
13	<b>GND (1.2)</b>	Power Return (Backup)	13	<b>GND (2.2)</b>	Power Return (Backup)

Alternative connectors on request.

[Content is subject to change without notice](#)

Revision: B

## 9. Accessories

Item	Item-No.
Aluminum Servo Arm	577-4200-00
Programming Tool RS-485	985.9

All accessories to be purchased separately.

Not to scale

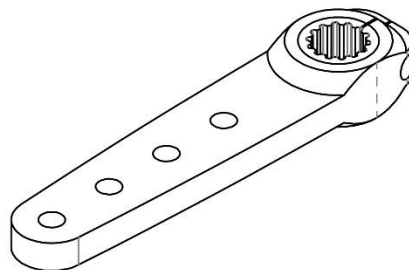
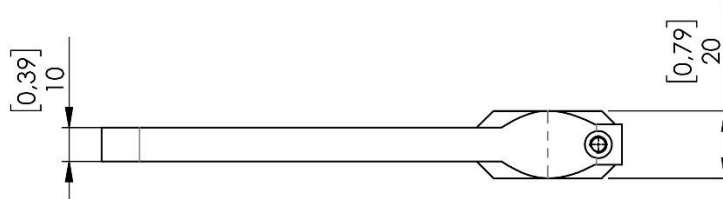
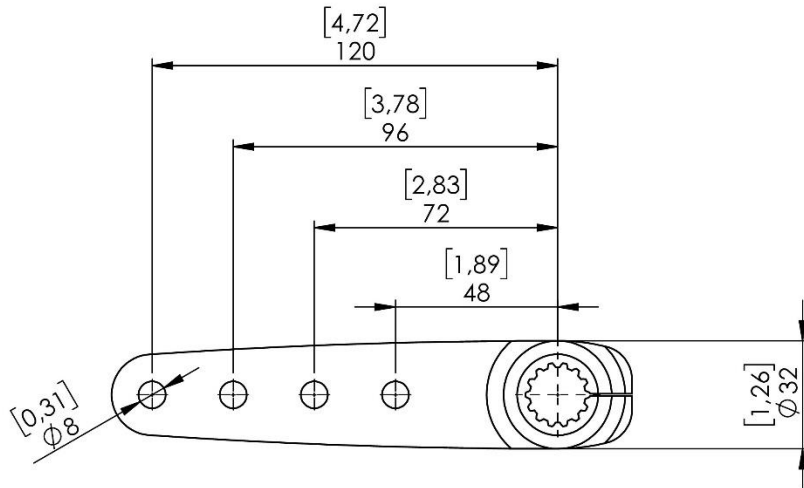
Dimensions: [in], mm

[Content is subject to change without notice](#)

Revision: B

## 9.1 Aluminum Servo Arm

Item # 577-4200-01



Not to scale

Dimensions: [in], mm

Content is subject to change without notice

Revision: B

## 10. Item Number System

DA 58-D-30-8848-

1		2
3	.	HI

1	Interfaces
3	RS 485 (2-wire)
2	High Impedance Option
HI	yes
X	no

Order example: DA 58-D-30-8848.3.HI



### Volz Servos GmbH & Co. KG

Heinrich-Krumm-Straße 5  
63073 Offenbach  
Germany  
Tel. +49-69-985580-0  
Fax +49-69-985580-40

e-Mail [mail@volz-servos.com](mailto:mail@volz-servos.com)

Website [www.volz-servos.com](http://www.volz-servos.com)