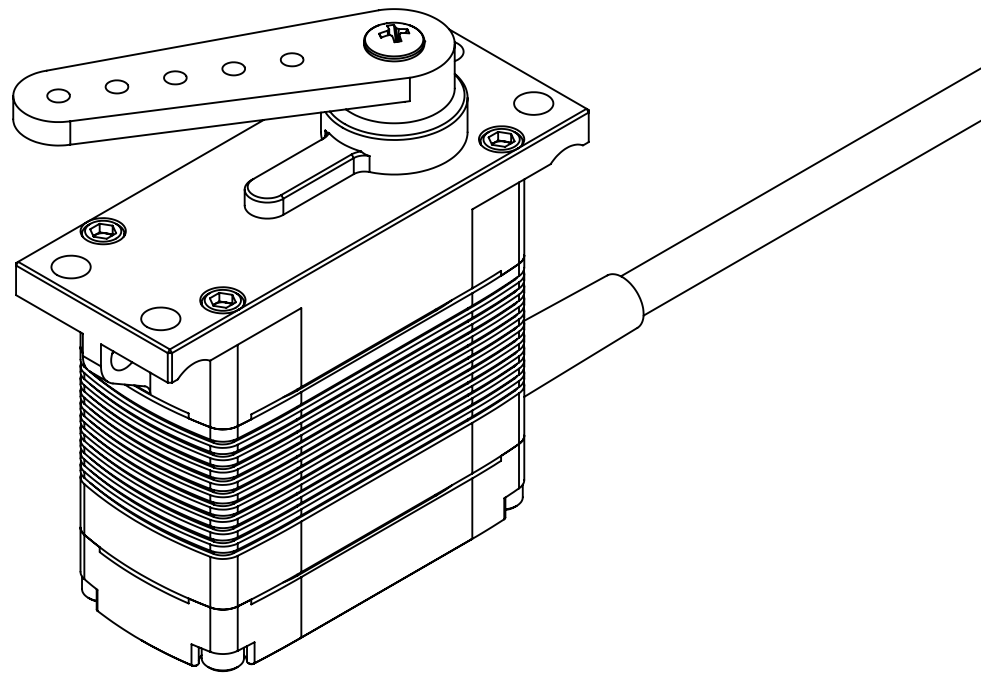


DA 15-N

Technical Specification



DA 15-N-06-BLDC
DA 15-N-12-BLDC
DA 15-N-06-BLDC-32
DA 15-N-12-BLDC-32

Content

1.	General Description	3
2.	Operating Data	4
3.	Performance	6
4.	Command Interface	10
4.1.	PWM Command Interface.....	10
4.2.	Position Feedback Signal	10
4.3.	Serial / RS 485 Command Interface.....	11
4.4.	RS 485 Protocol Specifications	11
5.	Materials and Features	12
6.	Dimensions.....	12
6.1.	Installation Dimensions.....	13
6.2.	Installation Dimensions.....	14
6.3.	Output Shaft Spline	15
7.	Electrical Connection Options	16
7.1.	PWM Interface	16
7.2.	RS 485 Interface	17
7.3.	Single Ended Serial Interface.....	18
8.	Accessories.....	19
8.1.	Aluminum Servo Arm, short.....	20
8.2.	Aluminum Servo Arm, long	21
8.3.	Aluminum Mounting Frame	22
9.	Item Number System Standard Gear Set	23

1. General Description

The DA 15-N is our smallest and lightest full brushless actuator incorporating contactless position sensing.

Its brushless motor and contactless, wear free position sensing system makes the DA 15-N immune to wear, vibrations and shock loads. It has especially been designed for the usage in harsh environments and for safety critical applications that require an actuator with high endurance. The conductive aluminum case and the shielded connection cable are reducing the susceptibility to any kind of EMI/RFI noise to the absolute minimum.

The servo is fully programmable.

The DA 15-N series can be equipped with a standard PWM input, a single ended serial interface as well as a RS 485 interface. Position feedback is a standard feature.

The DA 15-N with digital serial command interface (RS-485) receives its commands via a CRC secured protocol. It can return not only the shaft position in digital format, but also several diagnostic data such as the current consumption and the temperature of the electronics in digital form. These kind of diagnostic capabilities help to determine the health state of the actuators before, during and after deployment.

DA 15-N actuators have been subjected to endurance tests of more than 4,000 hours under load.

Advantages of the full brushless actuator:

1. Maximized service life through vibration-resistant, brushless DC motor
2. Brushless motor technology eliminates the typical electromagnetic noise of brush-type motors and provides ultra-long endurance
3. Contactless, wear free position sensing system
4. Aluminum housing with minimal weight and size in functional design
5. The saltwater-resistant, HART-coat treated aluminum housing withstands at least 100 hours of saltwater spray without damage and meets the IP-67 standard for water and dust protection
6. Excellent immunity to any kind of electromagnetic noise achieved with aluminum housing, low electromagnetic emissions through brushless motor
7. Several programming possibilities, e.g. overload protection of the internal electric brushless motor, which allows to reduce the motor current if the motor is being overloaded

2. Operating Data

	DA 15-N-06-BLDC-...	DA 15-N-12-BLDC-...	DA 15-N-12-BLDC-...
Supply Voltage (rated)	6 VDC	12 VDC	14 VDC
Supply Voltage Range	5 ... 9 VDC	10 ... 16 VDC	10 ... 16 VDC
Standby Current ¹ at rated voltage	0.05 A	0.05 A	0.05 A
Rated Current ¹ at rated voltage	0.5 A	0.35 A	0.35 A
Peak Current ¹ at rated voltage	1.5 A	0.85 A	0.95 A
Rated Torque ¹ at rated speed	16 Ncm (22.7 ozf-in)	25 Ncm (35.4 ozf-in)	25 Ncm (35.4 ozf-in)
Peak Torque ¹ at rated voltage	60 Ncm (85 ozf-in)	60 Ncm (85 ozf-in)	60 Ncm (85 ozf-in)
No Load Speed ¹ at rated voltage	290 °/s	330 °/s	390 °/s
Rated Speed ¹ at rated torque	235 °/s	240 °/s	290 °/s
Default Travel Angle	±45° = 90° total travel		
Max. Travel Angle ²	±90° = 180° total travel		
Backlash (mechanical)	≤ 0.5°		
Position Error under Temperature ³	≤ ±1.0°		
Operating Temperature Range	-30°C ... +70°C (-22°F ... +158°F)		
Storage Temperature Range	-35°C ... +80°C (-31°F ... +176°F)		

1) Tolerance ±10%

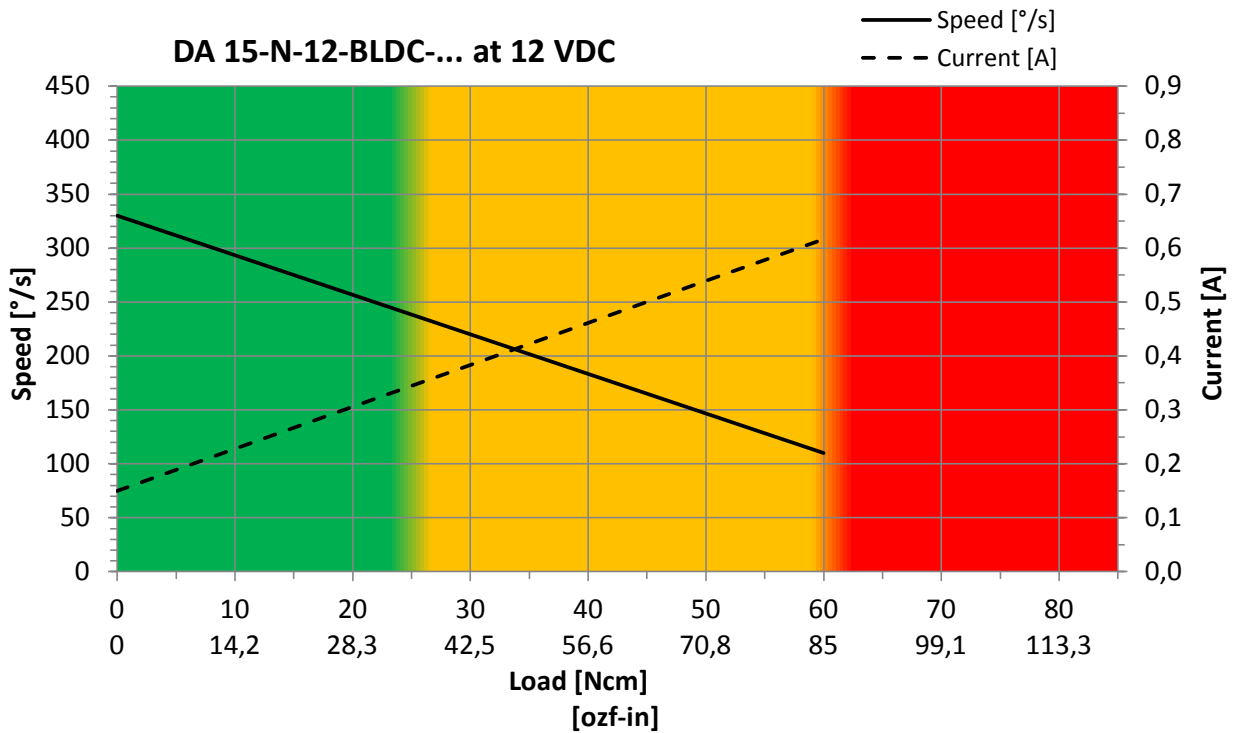
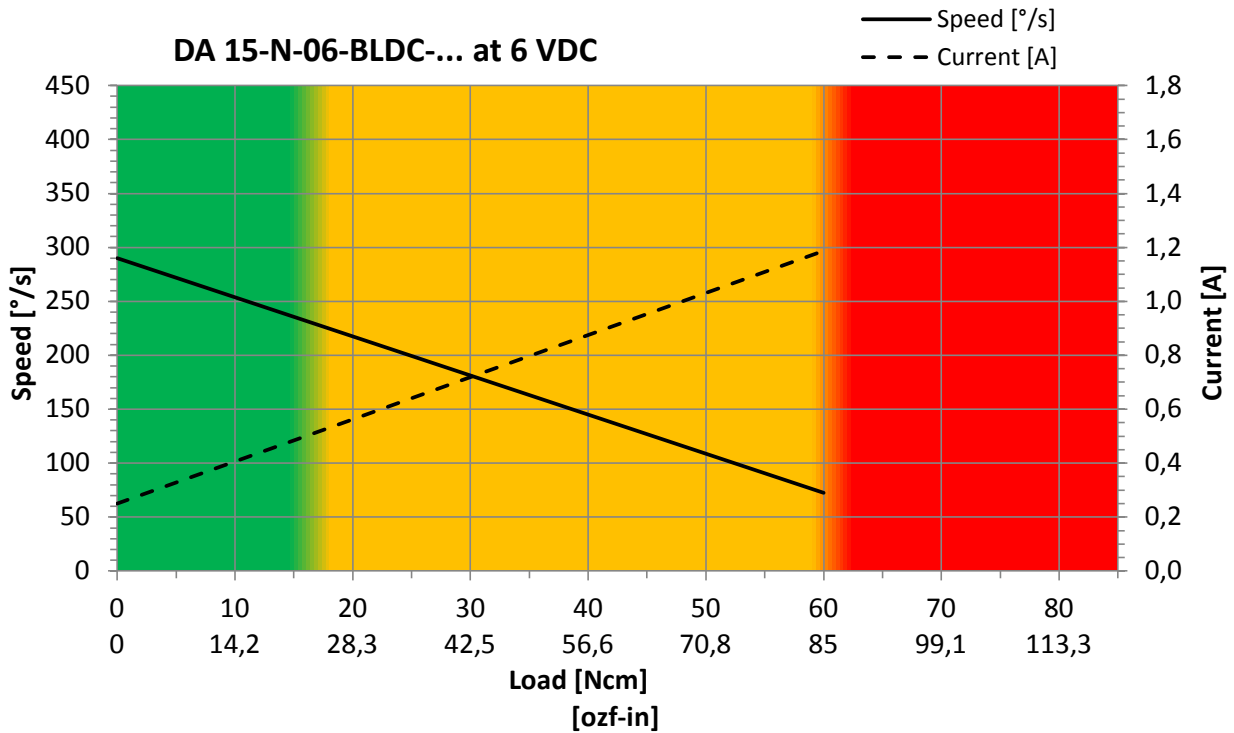
2) Programming Tool # 985.3 required

3) -20°C ... +50°C , Δt = 70°C (-4°F ... +122°F , Δt = 126°F)

	DA 15-N-06-BLDC-32-...	DA 15-N-12-BLDC-32-...	DA 15-N-12-BLDC-32-...
Supply Voltage (rated)	6 VDC	12 VDC	14 VDC
Supply Voltage Range	5 ... 9 VDC	10 ... 16 VDC	10 ... 16 VDC
Standby Current ⁵ at rated voltage	0.05 A	0.05 A	0.05 A
Rated Current ⁵ at rated voltage	0.5 A	0.35 A	0.35 A
Peak Current ⁵ at rated voltage	1.5 A	0.85 A	0.95 A
Rated Torque ⁵ at rated speed	11 Ncm (15.6 ozf-in)	18 Ncm (25.5 ozf-in)	18 Ncm (25.5 ozf-in)
Peak Torque ⁵ at rated voltage	40 Ncm (56.6 ozf-in)	40 Ncm (56.6 ozf-in)	40 Ncm (56.6 ozf-in)
No Load Speed ⁵ at rated voltage	540 °/s	620 °/s	730 °/s
Rated Speed ⁵ at rated torque	410 °/s	415 °/s	505 °/s
Default Travel Angle	±45° = 90° total travel		
Max. Travel Angle ⁶	±90° = 180° total travel		
Backlash (mechanical)	≤ 0.5°		
Position Error under Temperature ⁷	≤ ±1.0°		
Operating Temperature Range ⁸	-30°C ... +70°C (-22°F ... +158°F)		
Storage Temperature Range	-35°C ... +80°C (-31°F ... +176°F)		

- 4) Tolerance ±10%
- 5) Programming Tool # 985.3 required
- 6) -20°C ... +50°C , Δt = 70°C (-4°F ... +122°F , Δt = 126°F)
- 7) Low Temperature Modification on request

3. Performance

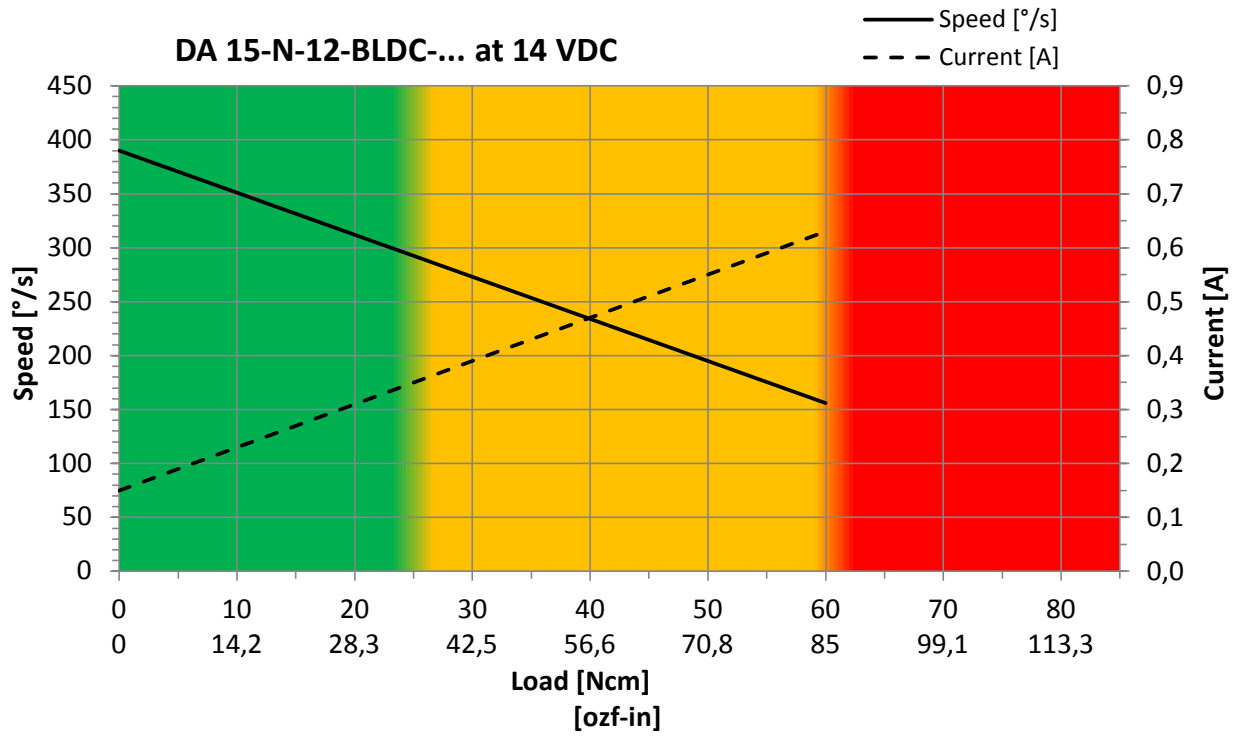


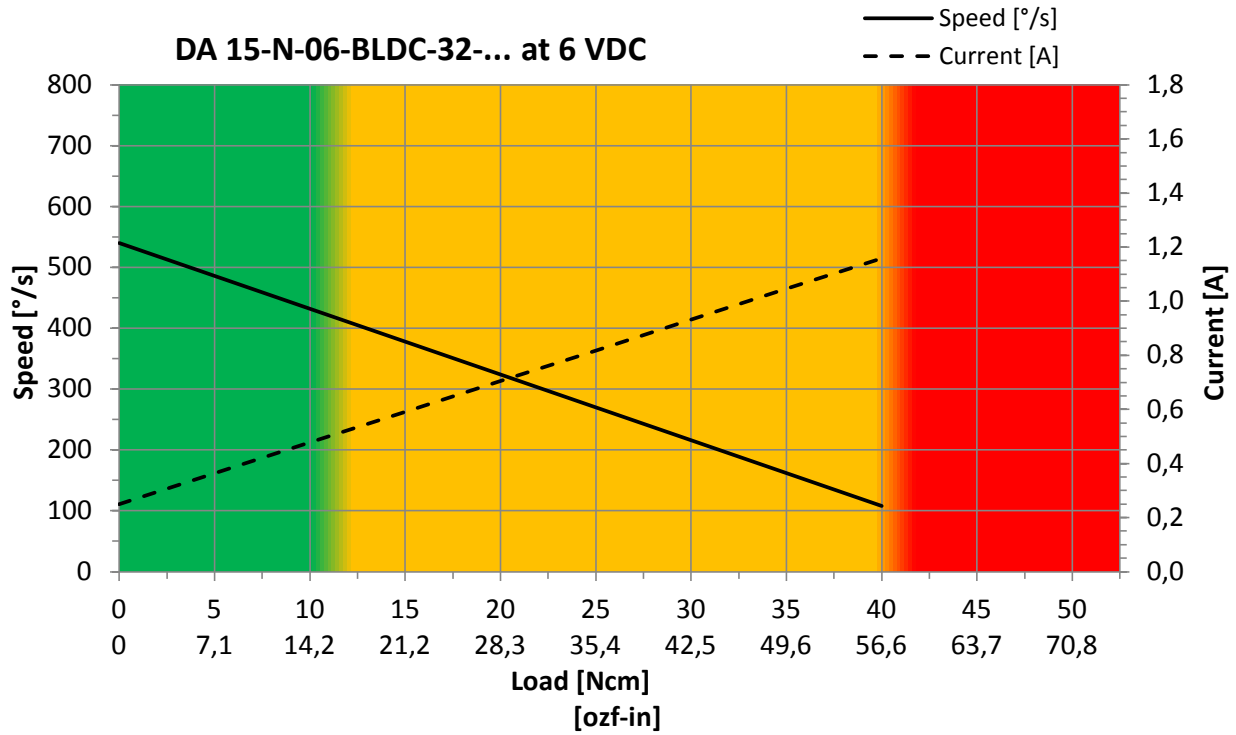
Operation Mode:

■ Continuous

■ Short Time
< 10s , 60s cool down

■ Overload
< 1s , 60s cool down



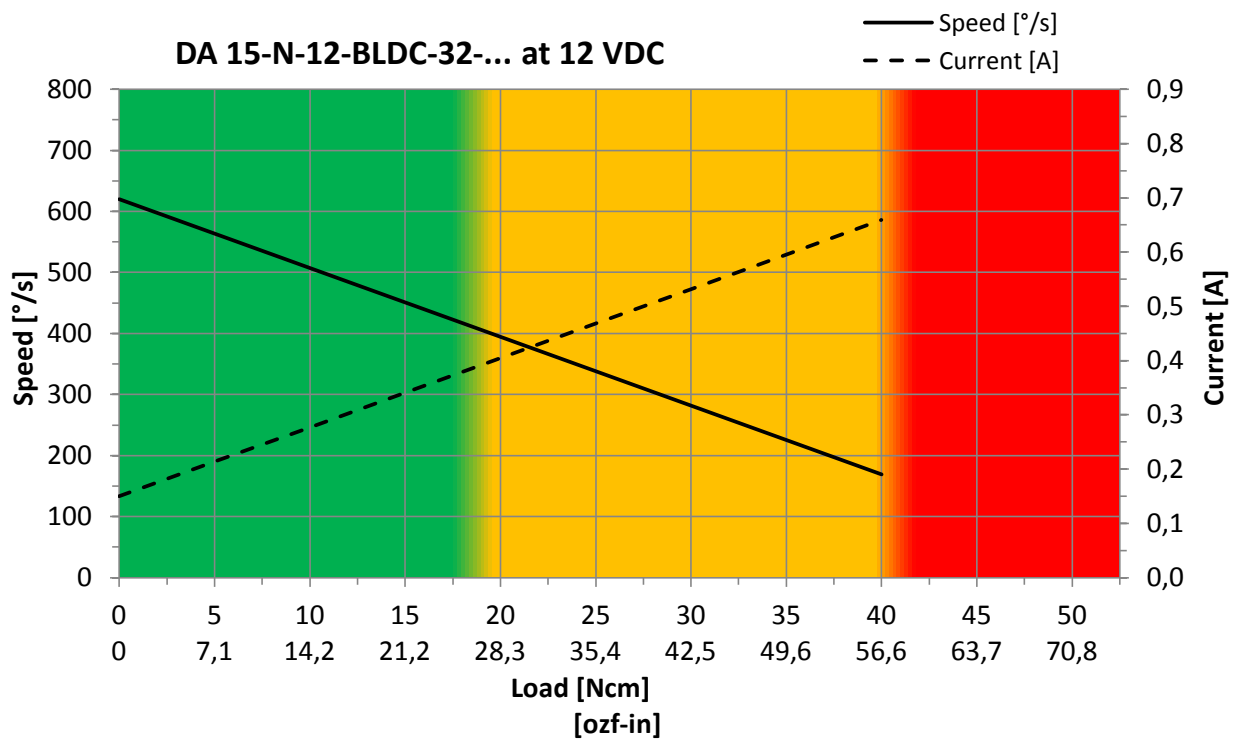


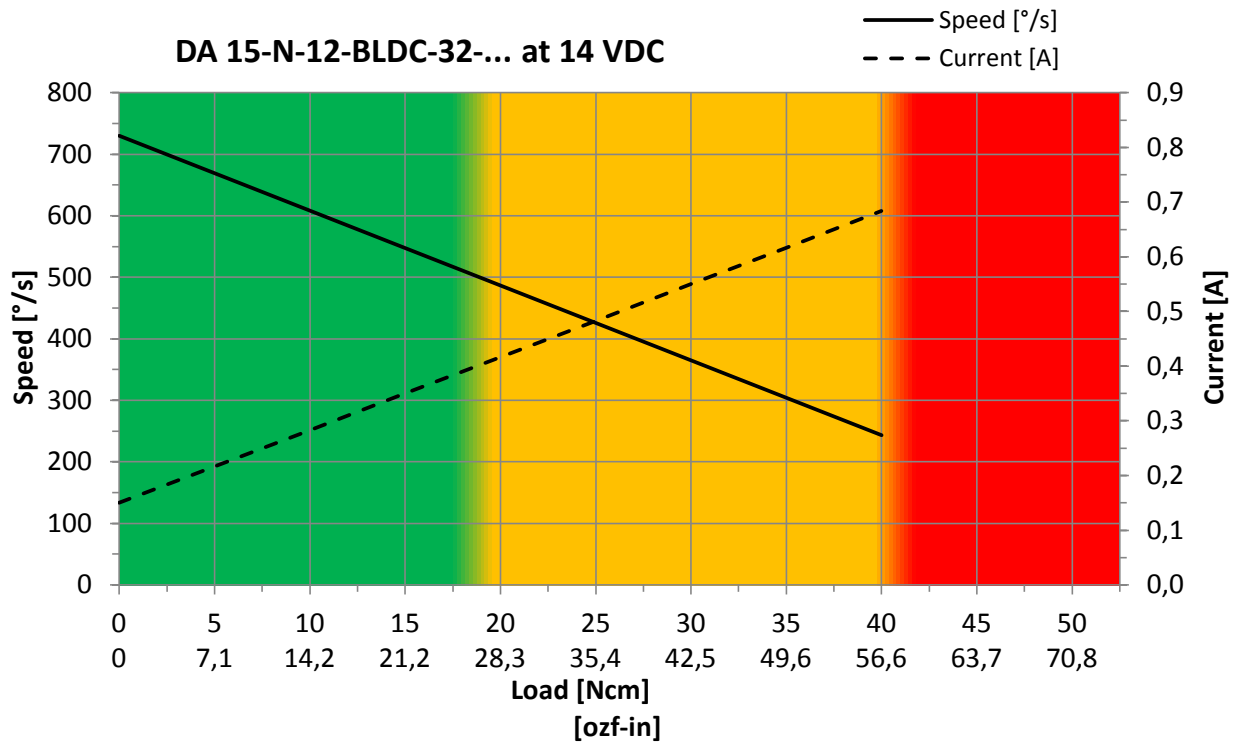
Operation Mode:

■ Continuous

■ Short Time
< 10s , 60s cool down

■ Overload
< 1s , 60s cool down





Operation Mode:

■ Continuous

■ Short Time

< 10s , 60s cool down

■ Overload

< 1s , 60s cool down

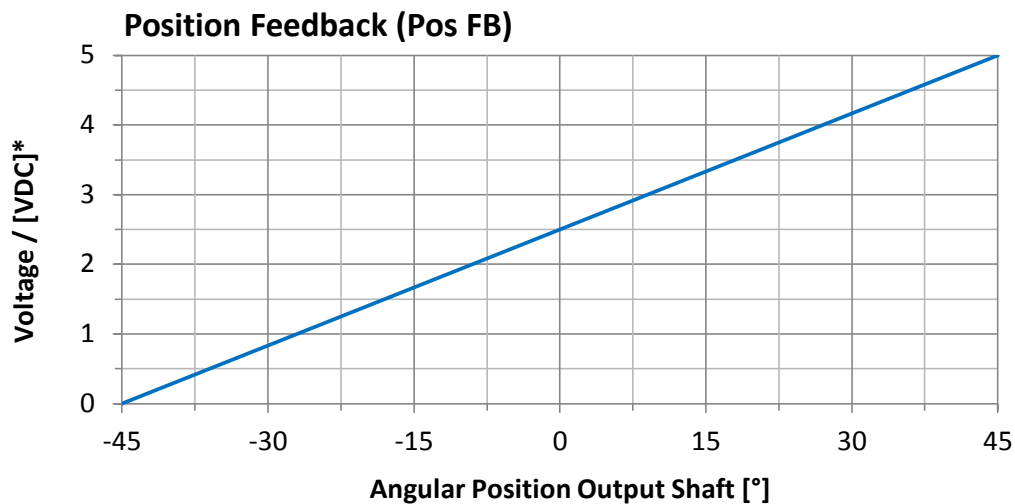
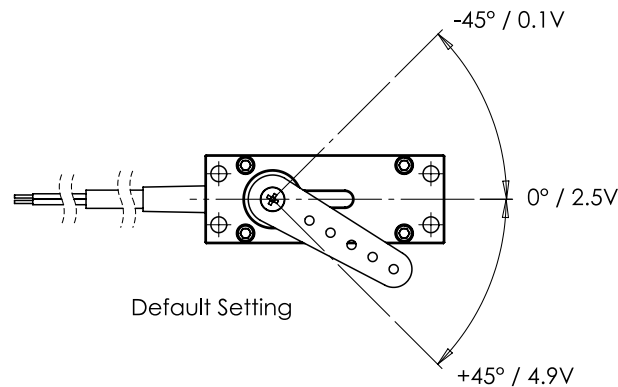
4. Command Interface

4.1. PWM Command Interface

PWM Signal Voltage	TTL-Level HIGH: min. 3.5 V, max. 5.5 V TTL-Level LOW: min. 0.0 V, max. 1.5 V
Frame Rate	2.6 ... 2000 ms
Valid Pulse Lengths	0.9 ... 2.1 ms
Pulse Length for Position Left / Center / Right	1.0 / 1.5 / 2.0 ms
Resolution	$\leq 1 \mu\text{s}$

4.2. Position Feedback Signal

The Position Feedback signal (Pos FB) is an analog output signal providing a voltage value, which is directly related to the output shaft's angular position. Reference is Supply Ground / Signal Ground (GND).



* Tolerance $\pm 5\%$

4.3. Serial / RS 485 Command Interface

Baud-Rate	115200 ±1.5% bits/s
Protocol (Documentation available)	6 Byte (incl. 2 byte CRC)

4.4. RS 485 Protocol Specifications

Number of Data Bits	8
Number of Stop Bits	1 or 2
Parity	None

Command / Response Frame

Byte #	Description
1	Command / Response-Code
2	Actuator ID
3	Argument 1
4	Argument 2
5	CRC High Byte
6	CRC Low Byte

5. Materials and Features

Case Material	Saltwater Resistant Aluminum Alloy
Case Surface Treatment	HART® - Coat
Splash Water Resistance	IP 67, waterproof to 1m depth
Salt Water Resistance	Case Material / HART® - Coat treatment
EMI / RFI Shielding	Case Shielding
Motor Type	Brushless DC Motor
Gear Set Material	Hardened Steel
Position Sensor	Contactless
Position Feedback	Standard
Shielded Connecting Cable	Standard

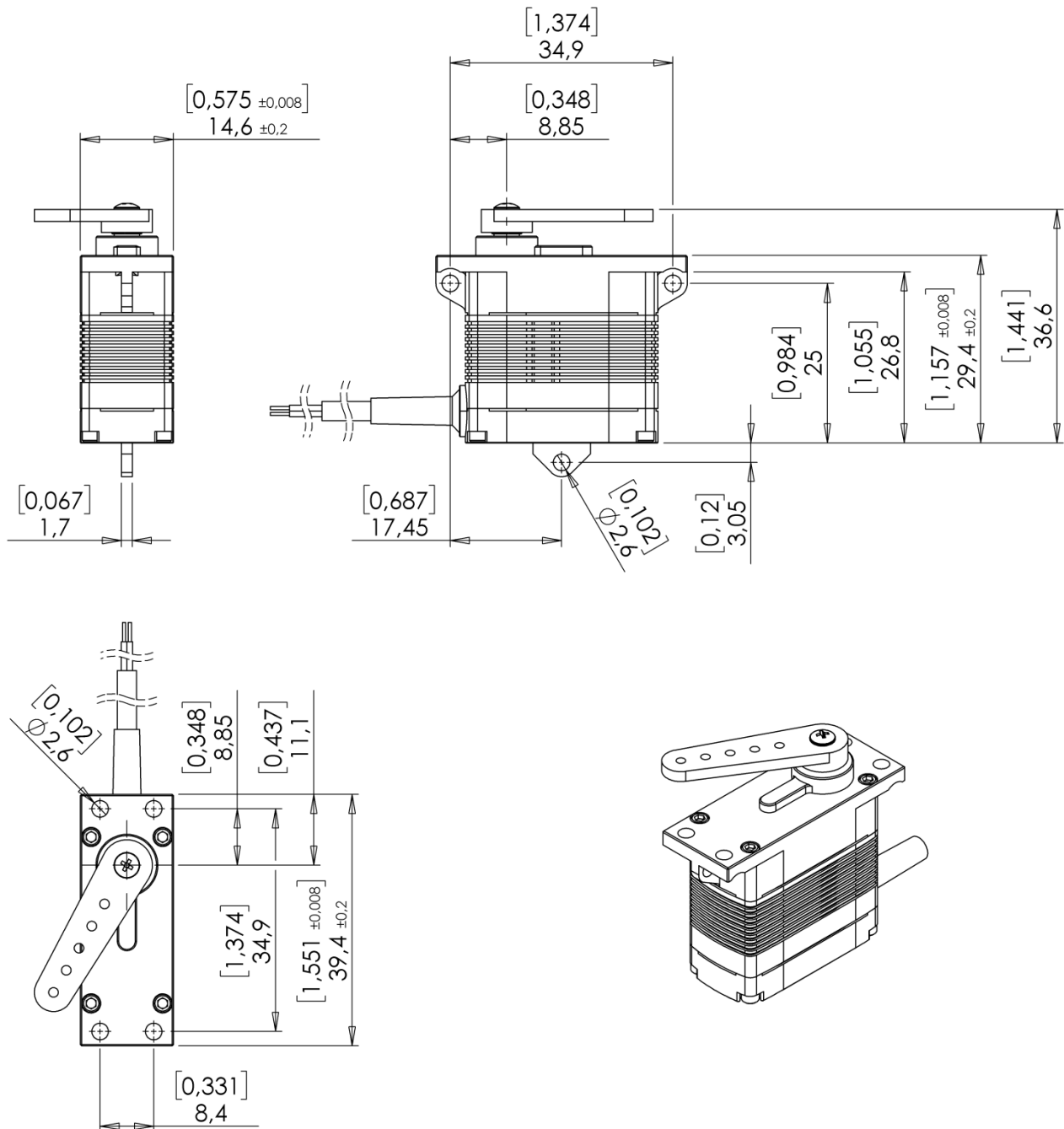
6. Dimensions

Case Dimensions	29.4 mm x 39.4 mm x 14.6 mm ± 0.2 mm (1.157 in x 1.551 in x 0.575 in ± 0.008 in)
Weight	30g (1.06oz) $\pm 10\%$

Standard Tolerances	Unless otherwise specified according to DIN ISO 2768 - m
---------------------	---

6.1. Installation Dimensions

DA 15-N-...-BLDC-...-1000



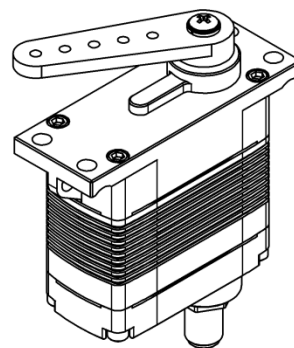
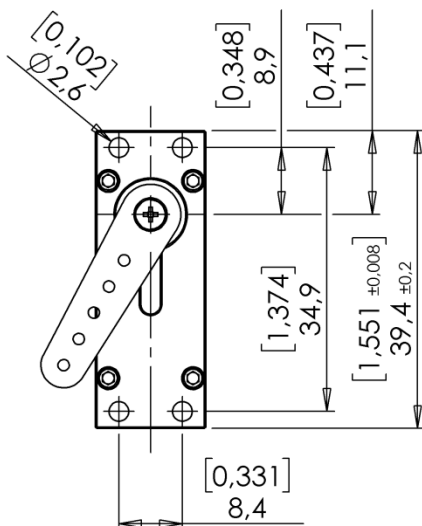
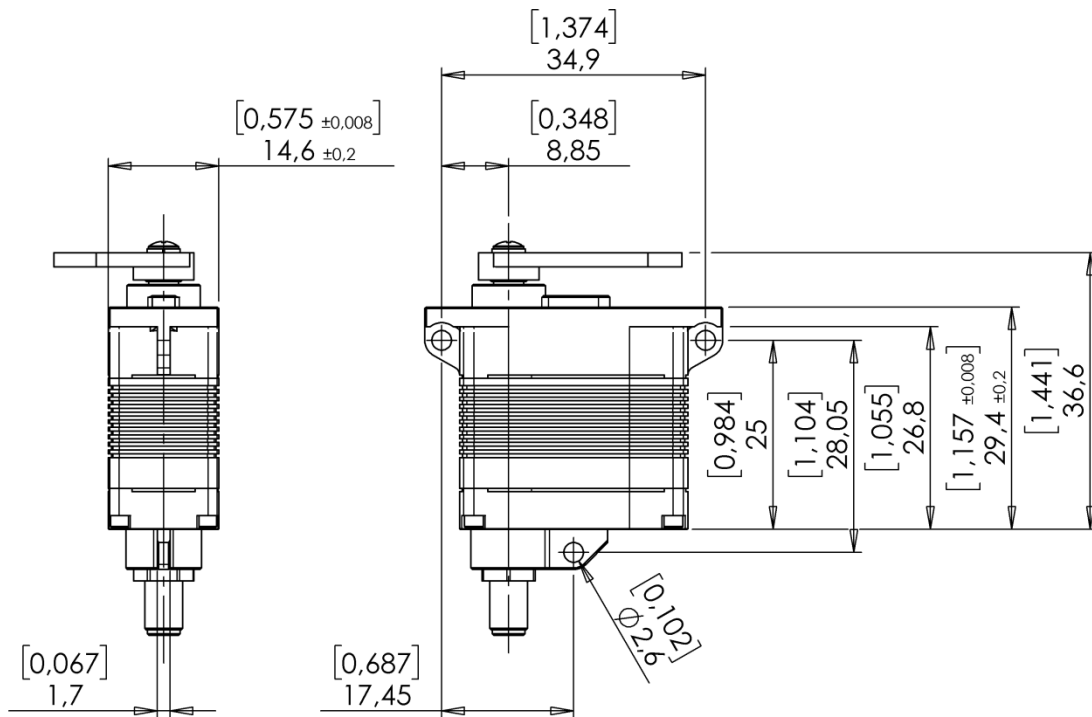
Not to scale

Dimensions [in] , mm

Content is subject to change without notice

6.2. Installation Dimensions

DA 15-N-...-BLDC-...-C



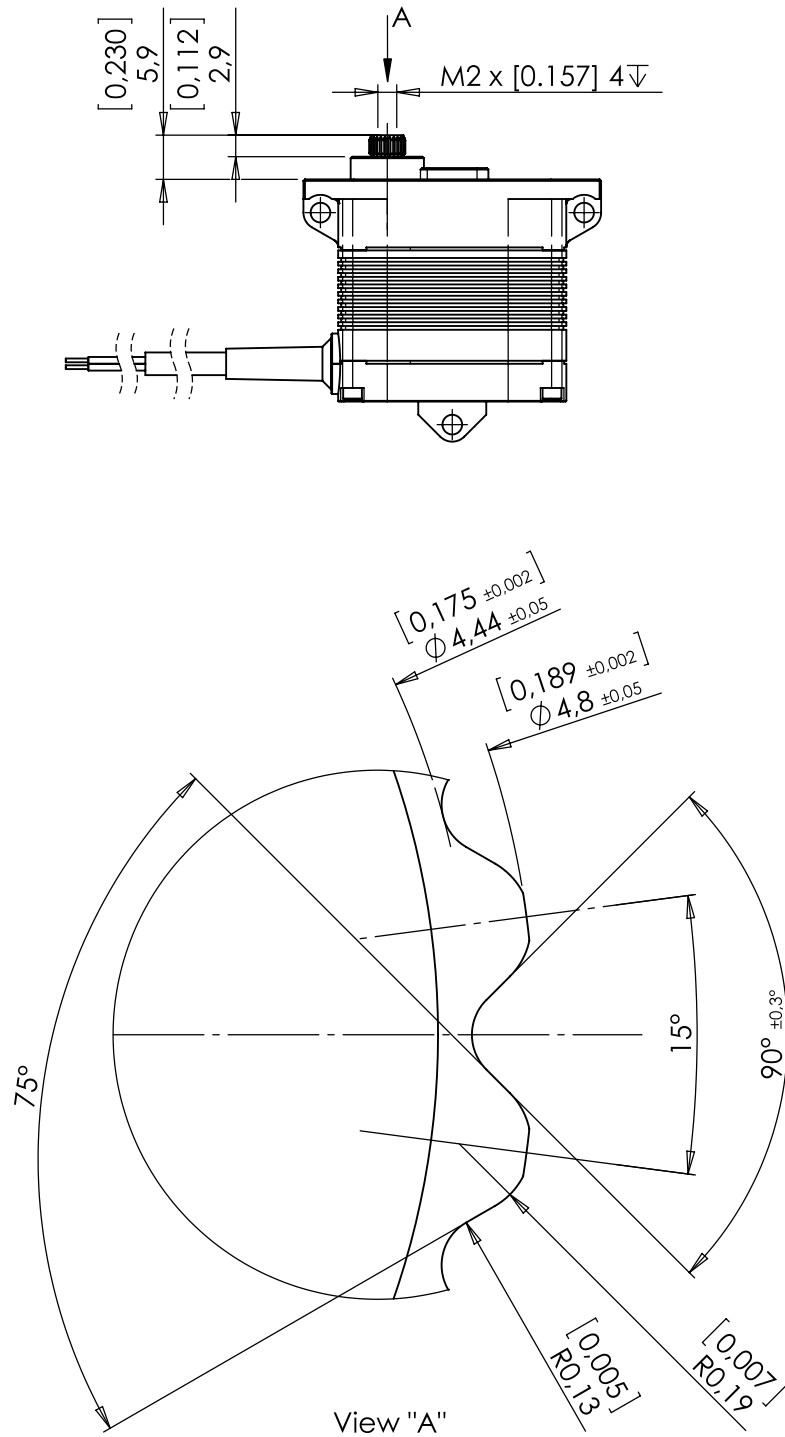
Not to scale

Dimensions [in] , mm

Content is subject to change without notice

6.3. Output Shaft Spline

Valid for all Versions



Not to scale

Dimensions [in] , mm

Content is subject to change without notice

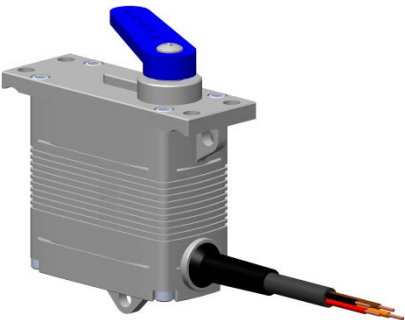
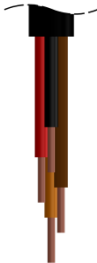
7. Electrical Connection Options

7.1. PWM Interface

Shielded Cable

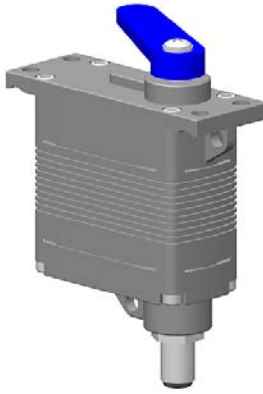

Item # DA 15.N._.BLDC._.1000

Length 1000mm (39,37in), open leads

			Shielded Cable		
			Description	Flexible shielded cable	
			Type	LifYDY-UL	
			Wire Gauge	4x AWG 28 (4x 0.08 mm ²)	
	Pin Assignment				
1	Red	+VDC	Supply Voltage		
2	Black	GND	Supply Ground, Signal Ground		
3	Orange	SIG	PWM Command Signal		
4	Brown	Pos FB	Position Feedback		

Industrial Standard M5 electrical Connector ⁵

Item # DA 15.N._.BLDC._.C

			Shielded Cable		
			Manufacturer	Franz Binder GmbH & Co.	
			Type	Series 707, No. 09 3111 86 04	
			Mating	No. 79 3108 35 04 No. 79 3110 52 04	
	Pin Assignment				
1	Brown	+VDC	Supply Voltage		
2	Black	Pos FB	Position Feedback		
3	White	GND	Supply Ground, Signal Ground		
4	Blue	SIG	Command Signal		

5) 200cm (78in) connecting cable with mating straight connector and open leads included

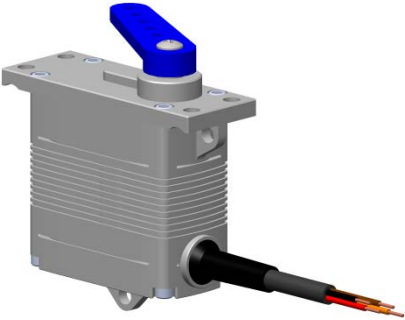
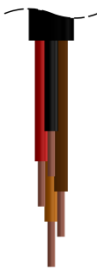
[Content is subject to change without notice](#)

7.2. RS 485 Interface

Shielded Cable

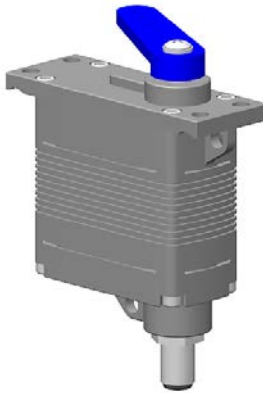

Item # DA 15.N_.BLDC_.R.1000

Length 1000mm (39,37in), open leads

		Shielded Cable	
		Description	Flexible shielded cable
		Type	LifYDY-UL
		Wire Gauge	4x AWG 28 (4x 0.08 mm ²)
		Pin Assignment	
1	Red	+VDC	Supply Voltage
2	Black	GND	Supply Ground, Signal Ground
3	Orange	RS 485 A	Non-Inverted Input / Output line
4	Brown	RS 485 B	Inverted Input / Output line

Industrial Standard M5 electrical Connector ⁵

Item # DA 15.N_.BLDC_.R.C

	2 4	Shielded Cable	
		Manufacturer	Franz Binder GmbH & Co.
		Type	Series 707, No. 09 3111 86 04
		Mating	No. 79 3108 35 04 No. 79 3110 52 04
	1 3 mating face	Pin Assignment	
1	Brown	+VDC	Supply Voltage
2	Black	RS 485 B	Inverted Input / Output line
3	White	GND	Supply Ground, Signal Ground
4	Blue	RS 485 A	Non-Inverted Input / Output line

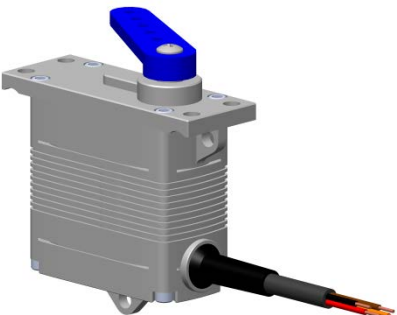

6) 200cm (78in) connecting cable with mating straight connector and open leads included

7.3. Single Ended Serial Interface

Shielded Cable

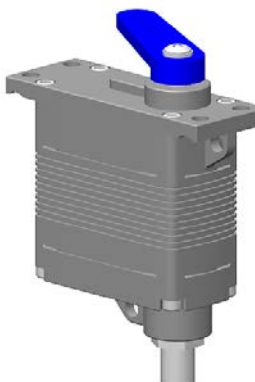
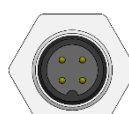
Item # DA 15.N_.BLDC_.SE.1000

Length 1000mm (39,37in), open leads

		Shielded Cable	
		Description	Flexible shielded cable
		Type	LifYDY-UL
		Wire Gauge	4x AWG 28 (4x 0.08 mm ²)
	Pin Assignment		
1	Red	+VDC	Supply Voltage
2	Black	GND	Supply Ground, Signal Ground
3	Orange	Serial	Bidirectional serial data line
4	Brown	DU	Don't Use

Industrial Standard M5 electrical Connector ⁵

Item # DA 15.N_.BLDC_.SE.C

	2 4	Shielded Cable		
		Manufacturer	Franz Binder GmbH & Co.	
		Type	Series 707, No. 09 3111 86 04	
		Mating	No. 79 3108 35 04 No. 79 3110 52 04	
	1 3 mating face	Pin Assignment		
1	Brown	+VDC	Supply Voltage	
2	Black	DU	Don't Use	
3	White	GND	Supply Ground, Signal Ground	
4	Blue	Serial	Bidirectional serial data line	

7) 200cm (78in) connecting cable with mating straight connector and open leads included

8. Accessories

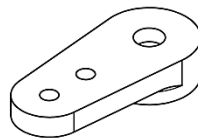
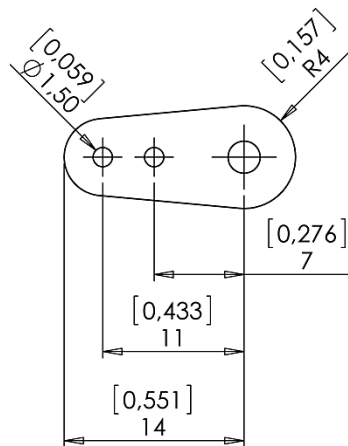
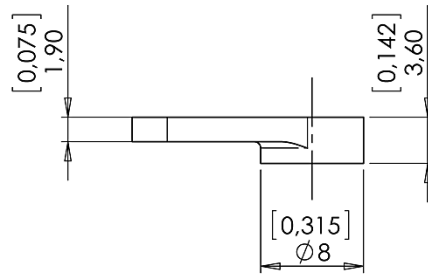
Item	Item-No.
Aluminum Servo Arm, short, single sided ⁶	1521.21
Aluminum Servo Arm, long, single sided	1521.22
Aluminum Mounting Frame	1521.31 incl. screws
Programming Tool (PWM)	985.3
Programming Tool (Serial / RS 485)	985.5

6) Single sided Servo Arm with fixation screws included

All accessories to be purchased separately

8.1. Aluminum Servo Arm, short

1521.21



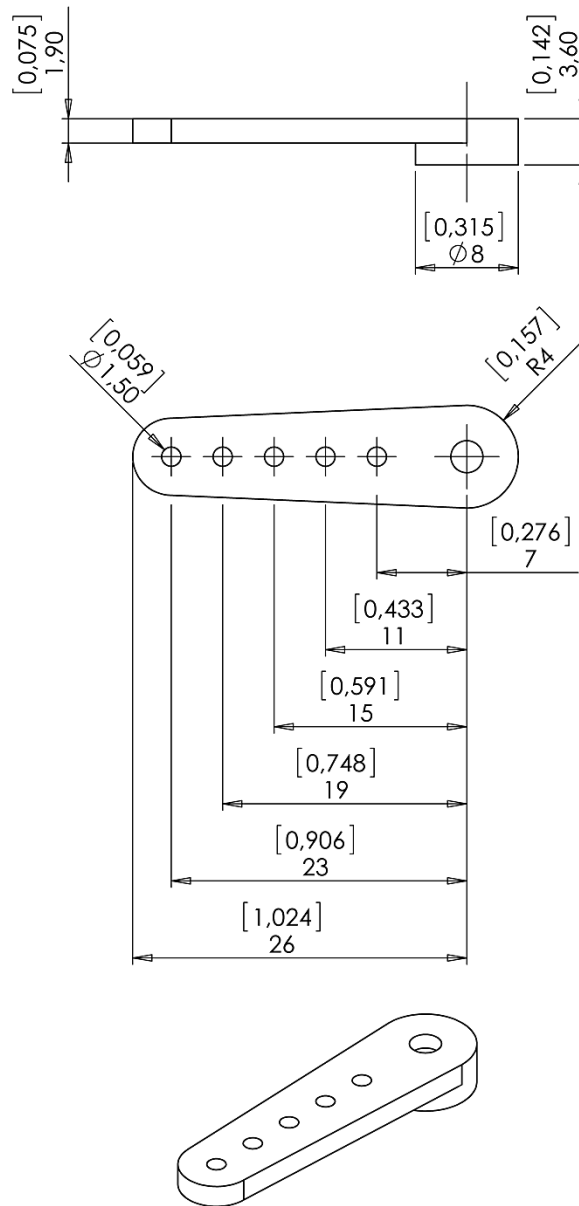
Not to scale

Dimensions [in] , mm

Content is subject to change without notice

8.2. Aluminum Servo Arm, long

1521.22

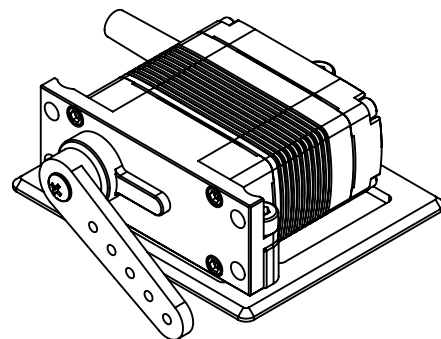
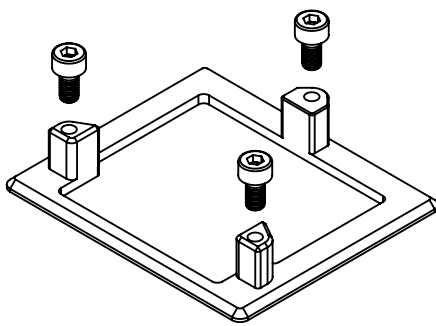
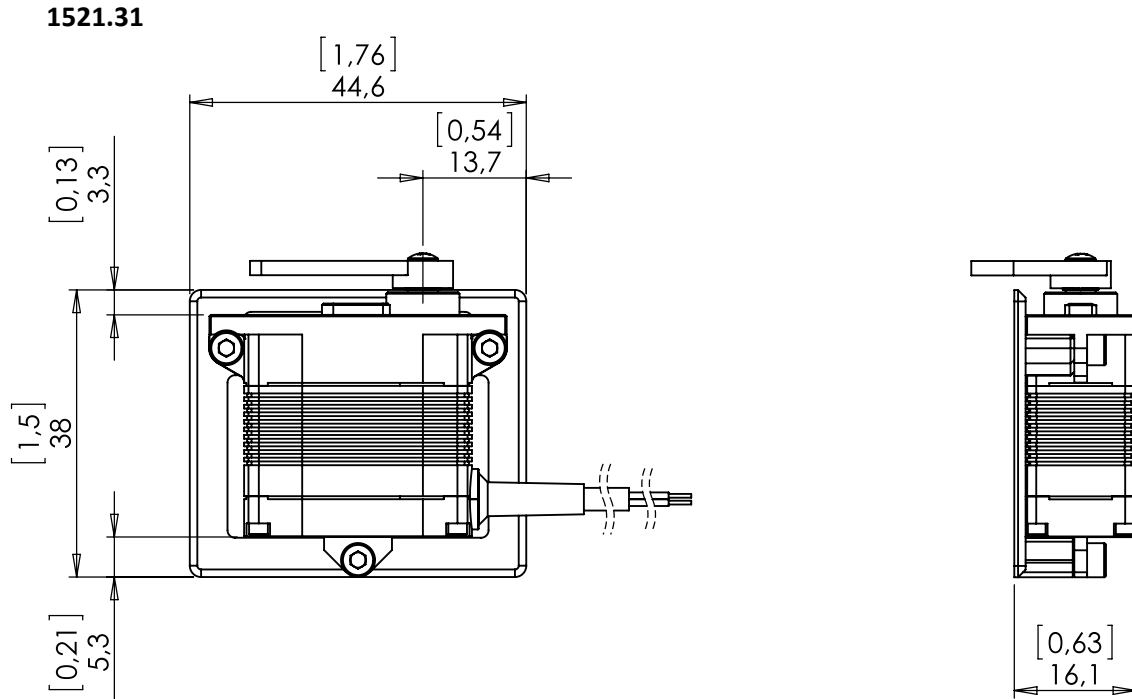


Not to scale

Dimensions [in] , mm

Content is subject to change without notice

8.3. Aluminum Mounting Frame



Mounting Frame shown with installed actuator.

Not to scale

Dimensions [in] , mm

Content is subject to change without notice

9. Item Number System Standard Gear Set

DA 15 . N . 12 . BLDC . - . - . 1000	
Servo Class 15 mm Class	Electrical Connection 1000 Shielded cable, open leads, length 1000mm C Industrial Standard M5 Connector
	Interface - PWM Interface R RS 485 Interface SE Single Ended Serial Interface
	Gear Set - Standard 32 High Speed
Supply Voltage 6 V DC 06 12 V DC 12	Motor Type BLDC Brushless Motor



Volz Servos GmbH & Co. KG

Kaiserstrasse 15
63065 Offenbach
Germany
Tel. +49-69-985580-0
Fax +49-69-985580-40

e-Mail mail@volz-servos.com
Website www.volz-servos.com