

This drawing contains confidential and/or privileged information. Any unauthorized copying, disclosure or distribution of the material in this drawing is strictly forbidden.
 Diese Zeichnung beinhaltet vertrauliche Informationen. Unerlaubte Vervielfältigung, Veröffentlichung oder Verbreitung dieser Informationen ist strengstens untersagt.

Parameter	Standard Mode
Operating Data Clutch	
Supply Voltage (rated)	28 V
Supply Voltage Range	24 ... 30 V DC
Rated Current ₁ at rated voltage	1,1 A
Rated transmittable Torque ₂ at rated voltage (without slippage)	30 Nm
Operating Temperature	-30 ... +40 °C
Operating Data Servo <i>(please see datasheet of DA 30 for more details)</i>	
Supply Voltage (rated)	28 V DC
Supply Voltage Range	24 ... 32 V DC
Standby Current ₁ at rated voltage	<0,04 A
Rated Current ₁ at rated voltage	1,3 A
Peak Current ₁ at rated voltage	2,6 A
Rated Torque ₁ at rated speed	8,0 Nm
Peak Torque ₁ at rated voltage	16,0 Nm
No Load Speed ₁ at rated voltage	230 °/s
Rated Speed ₁ at rated torque	150 °/s
Max. Travel Angle ₃	±85° = 170° total travel
Backlash (mechanical)	≤ 0,5°
Position Error under Temperature ₄	≤ ±1°
Operating Temperature Range	-30 ... +70 °C
Storage Temperature Range	-55 ... +85 °C
Weight ₁	2850 g

- 1) Tolerance ±10%
 2) Tolerance ±20%

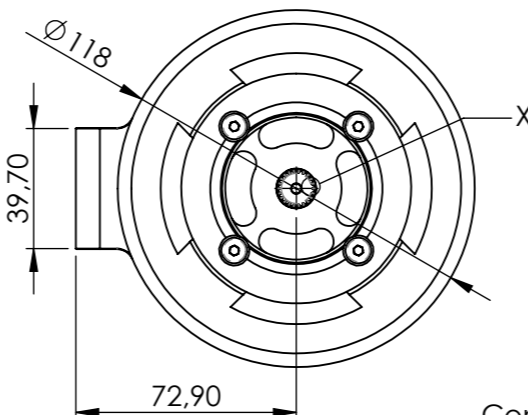
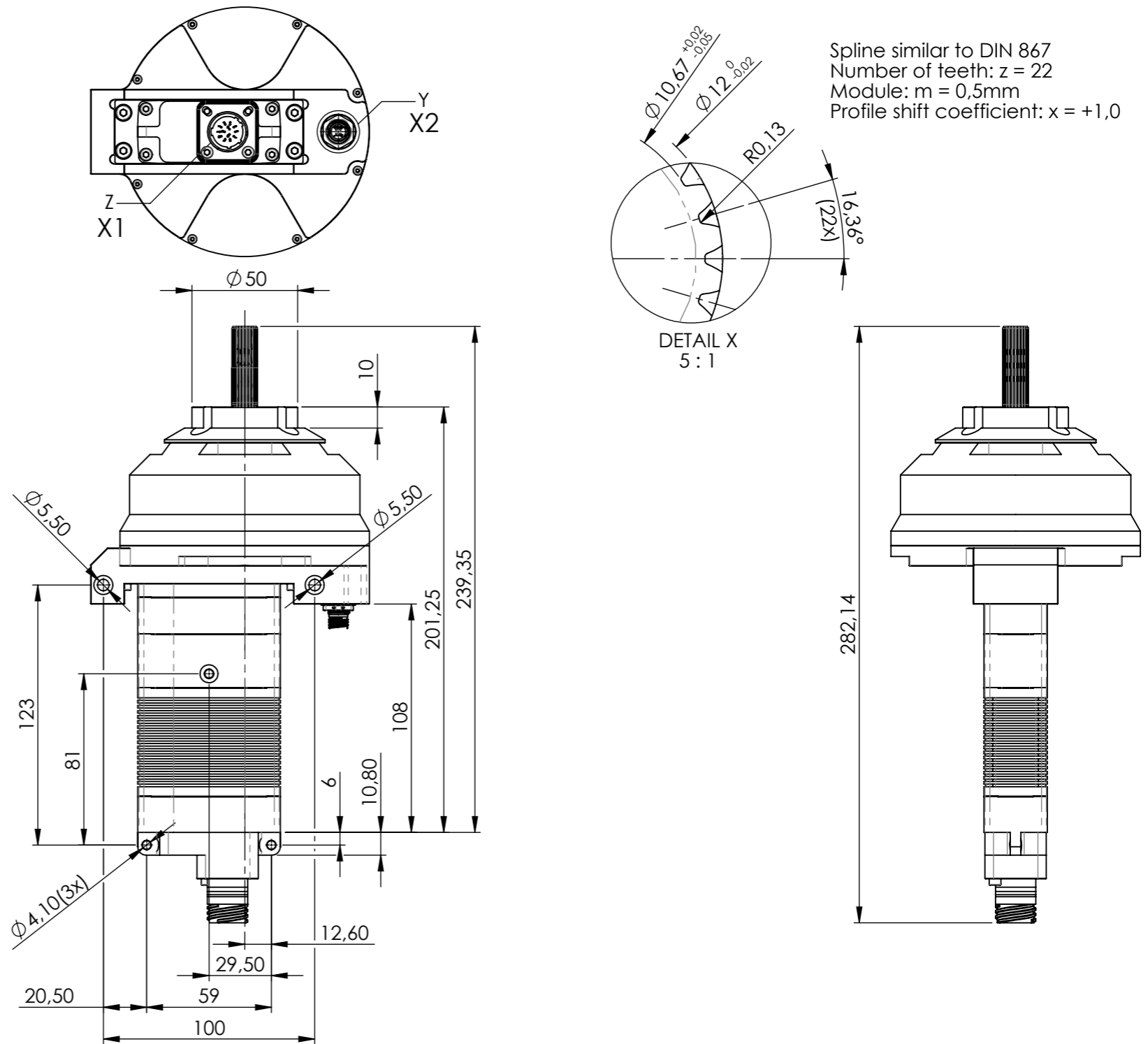
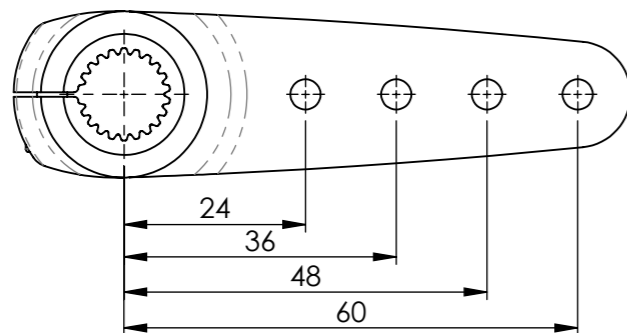
- 3) without clutch
 4) -20...+50°C, Δt=70°C

Item No.:

DA 30.MCCS.30.5224.3.MIL13

DA Digital Actuator
 30 30mm Class
 MCCS Magnetic Clutch, Coaxial Shaft with internal Sensor
 30 28-32V DC Power Supply
 5224 Internal Number
 3 RS 485 Command Interface
 MIL13 38999 13-pin MIL Connector

Standard Servo Arm
1 : 1



Servo Case Surface Treatment: HART®-Coat

Drawing not to scale / Zeichnung nicht maßstäblich		
VOLZ Servos GmbH & Co. KG Heinrich-Krumm-Straße 5 63073 Offenbach Germany www.volz-servos.com		
Title / Benennung: DA 30-MCCS Configuration Control		
Dwg. No. / Zch.-Nr.:	477-6000-04	Rev.: B
Scale / Maßstab: 1:2.5	Sheet / Blatt: 1/2	A3

Content is subject to change without notice

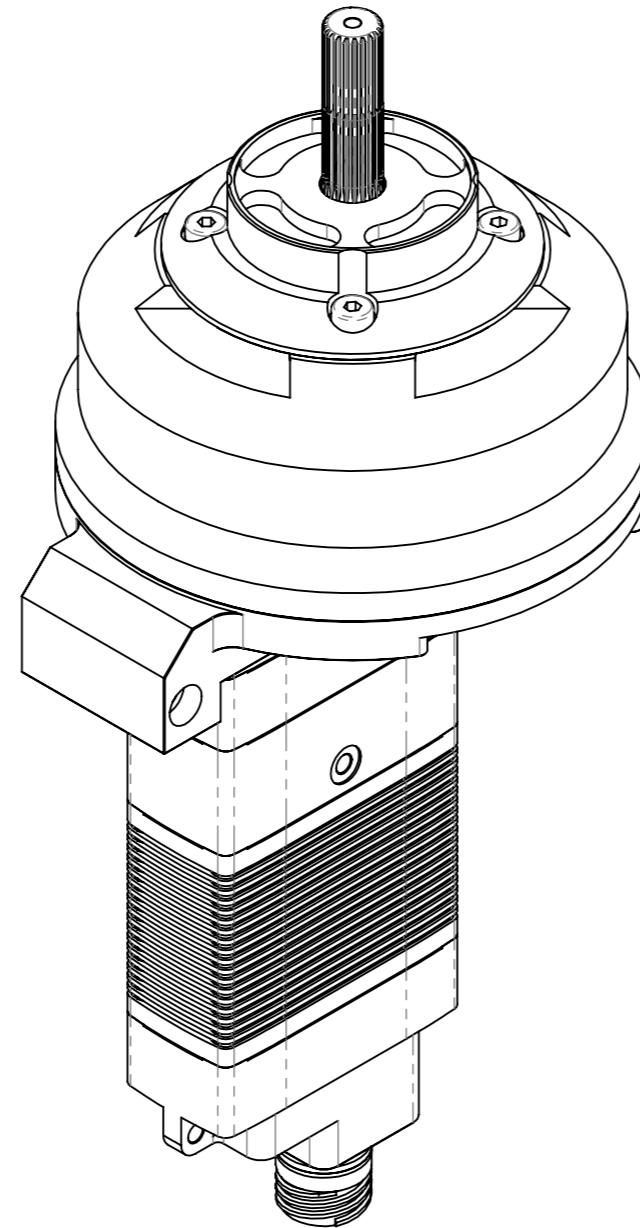
This drawing contains confidential and/or privileged information. Any unauthorized copying, disclosure or distribution of the material in this drawing is strictly forbidden.
 Diese Zeichnung beinhaltet vertrauliche Informationen. Unerlaubte Vervielfältigung, Veröffentlichung oder Verbreitung dieser Informationen ist strengstens untersagt.

RS 485 Communication Parameters	
Baudrate 1	115200
No. of Data Bits	8
No. of Stop Bits	2
Parity	None
Data Frame	6 bytes
Max. Frame Rate	100 Frames per second
Signal Polarity	One = High , Zero = Low
Address Range	0x01 ... 0x1E

1) Other baudrate on request

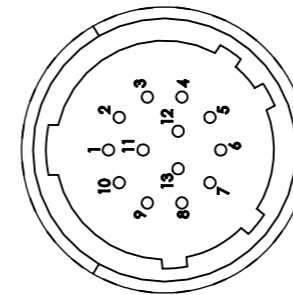
RS 485 Command / Response Frame	
Byte #	Description
1	Command / Response-Code
2	Actuator ID
3	Argument 1
4	Argument 2
5	CRC High Byte
6	CRC Low Byte

Harness Configuration		
connect		to
X2 - Pin 3	→	X1 - Pin 10
X2 - Pin 4	→	X1 - Pin 13



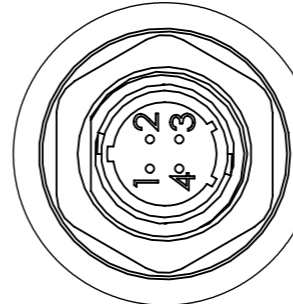
1 : 1.5

Amphenol
38999-20WB35PN
X1



DETAIL Z
2 : 1

Glenair MM
801-009-07M6-4PA
X2



DETAIL Y
2 : 1

Pin Assignment		
38999-20WB35PN (Detail Z) - X1		
1	NC	Do not connect
2	PWR_1	Power Supply Input 1
3	NC	Do not connect
4	COM1_A	COM1 A (RS 485)
5	COM1_B	COM1 B (RS 485)
6	CASE_GND_1	Case Ground
7	COM2_A	COM2 A (RS 485)
8	COM2_B	COM2 B (RS 485)
9	NC	Do not connect
10	PWR_2	Power Supply Input 2 + Clutch Sense
11	NC	Do not connect
12	GND_1	Return, Signal Ground 1
13	GND_2	Return, Signal Ground 2
801-009-07M6-4PA (Detail Y) - X2		
1	GND_3	Clutch Engage Return
2	PWR_3	Clutch Engage Power
3	CS	Clutch Sense
4	CS_GND	Clutch Sense Ground

Drawing not to scale / Zeichnung nicht maßstäblich


VOLZ Servos GmbH & Co. KG
 Heinrich-Krumm-Straße 5
 63073 Offenbach
 Germany
www.volz-servos.com

Title / Benennung: DA 30-MCCS
Configuration Control

Dwg. No. / Zch.-Nr.: 477-6000-04 Rev.: B

Scale / Maßstab: 1:2.5 Sheet / Blatt: 2/2 A3

Content is subject to change without notice